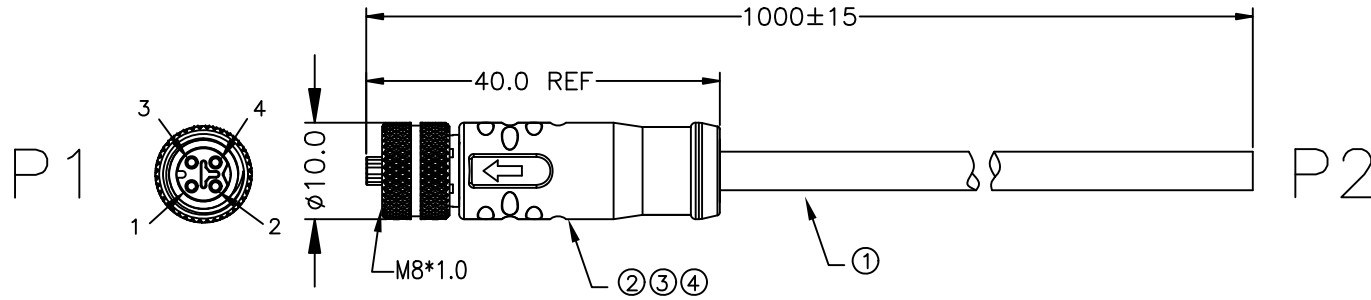


PROJECT NO:

REV	DESCRIPTION	DATE	APPROVED
S0	CREATED DRAWING	2026/05/12	ZXL



Electrical character

Rated voltage	50V AC/60V DC
Rated current	3A
Mechanical characteristics (mating cycle)	>100
Degree of protection (ISO-20653,IEC60529)	IP67
Operating temperature (depending on cable quality)	-25°C ~ +80°C
Destructive withstand force between connector and overmold exceeds	**kgf
Tightening torque (range)	0.4~10Nm
Pollution degree	3
*ALL MATERIALS ARE RoHS COMPLIANT*	

WIRE LIST

P1	COLOR	P2
1	YELLOW	OPEN
2	WHITE	
3	BLUE	
4	ORANGE	
SHELL	BRAID	

ITEM	PART NO.	SPECIFICATION	Q'TY	UNIT
④	GL00031	HD-908 WHITE	1	g
③	PL00004	BLACK TPU 105°	6	g
②	N/A	M8 P CODING 4PIN FEMALE CONNECTOR	1	SET
①	CA00840-3	UL20549 24AWG*4C+AB JACKET BLACK/RED TPU OD=5.0MM	1	PCS

**SIGNAL**<sup>®</sup>  
Shenzhen Signal Electronics co.,Ltd

DRAWN BY	DATE
CHECKED BY	DATE
CHECKED BY	DATE
APPROVED BY	DATE

THE INFORMATION CONTAINED IN THIS DRAWING IS THE SOLE PROPERTY OF SIGNAL COMPANY. ANY REPRODUCTION IN PART OR WHOLE WITHOUT THE WRITTEN PERMISSION OF SIGNAL COMPANY IS PROHIBITED.

TITLE M8 4P FEMALE CABLE	
SGN NO 080904-06-001	REV.
DWG NO	S0
CUSTOMER	
TOLERANCES ARE: DECIMALES .x ±0.5 .xx ±0.20	ANGLES x.* ±2.0° .x.* ±1.0°
THIRD ANGLE PROJECTION	UNITS: mm
SCALE: 1:1	SHEET: 1 OF 1