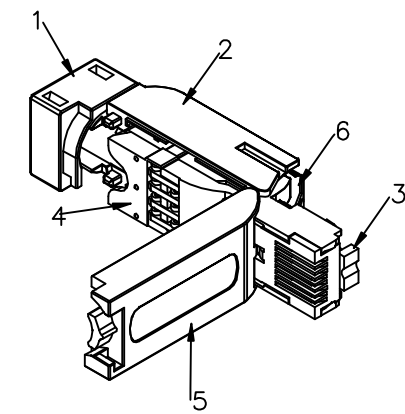
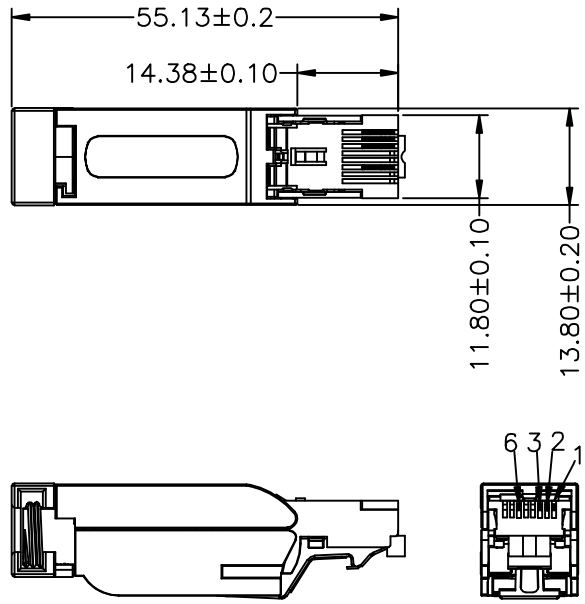


PROJECT NO:		REV	DESCRIPTION	DATE	APPROVED
		SO	CREATED DRAWING	2020/05/11	WJY




- material:
1. Nut zinc alloy material nickel plated 50–100 μ applicable wire OD: 6.0–7.5MM
 2. Front shell: 180 degree front shell zinc alloy material nickel plated 50–100 μ
 3. RJ45 plug:
 - 3–1. housing: 180 degree rubber core material pa66 + 15% gf black
 - 3–2. contact terminal material phosphorus copper front gold back tin tin plating 80–100 μ & gold plating 3 μ
 - 3–3. clamp terminal material phosphor copper tinned 80–100 μ
 - 3–4. 180 degree pcb board W19.9 * H19.0 * T0.6mm green
 - 3–5. 180 degree transparent mylar W24.8 * H20.4 * T0.1mm
 4. Crimping back cover material pc material transparent, suitable for 18–22awg stranded and solid wire ,min 20 installation cycle
 5. Rear shell zinc alloy material nickel plated 50–100 μ
 6. Shrapnel stainless steel glossy oil seal

Detailed Product Description:
 Waterproof connector rating is IP20
 They can not be used permanently under water
 Per ISO–20653, IEC60529

Connector Electrical character:
 Rating voltage: 60V
 Insulation resistance: >100M Ω
 Rating current : 4A
 Contact resistance of connector \leq 20m Ω
 Mechanical characteristics: mating / cycle >100 cycle
 Operating temperature: –25 $^{\circ}$ C ~ +85 $^{\circ}$ C

*ALL MATERIALS ARE RoHS COMPLIANT.

 Shenzhen Signal Electronics Co., LTD		TITLE RJ45 4-CORE METAL MALE STRAIGHT CRIMP ASSEMBLY	
		SGN NO 940004-07-002	REV.
DRAWN BY	DATE	DWG NO	S0
CHECKED BY	DATE	CUSTOMER	
APPROVED BY	DATE	TOLERANCES ARE:	
<small>THE INFORMATION CONTAINED IN THIS DRAWING IS THE SOLE PROPERTY OF SIGNAL COMPANY. ANY REPRODUCTION IN PART OR WHOLE WITHOUT THE WRITTEN PERMISSION OF SIGNAL COMPANY IS PROHIBITED.</small>		DECIMALES .x \pm 0.15 .xx \pm 0.10	ANGLES x.' \pm 1.0' .x' \pm 0.5'
		THIRD ANGLE PROJECTION	SIZE: A4 UNITS: mm SCALE: SHEET: 1 OF 1