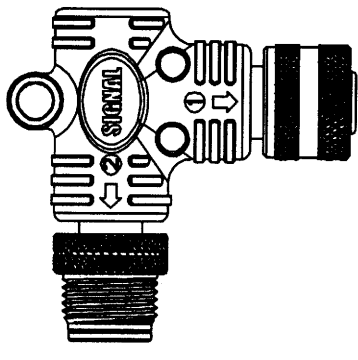
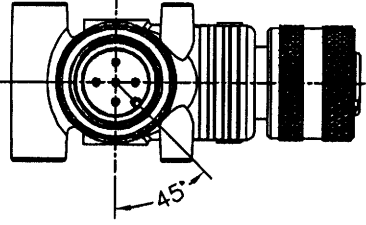
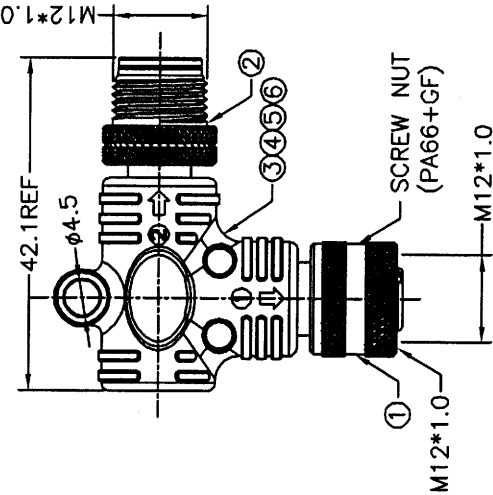
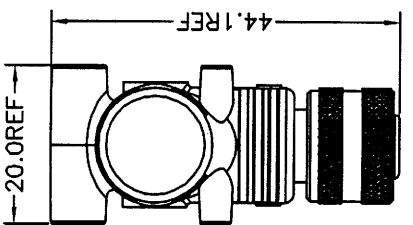


REV	DESCRIPTION	DATE	APPROVED
S0	UPDATE DRAWING	2020/04/08	YZH



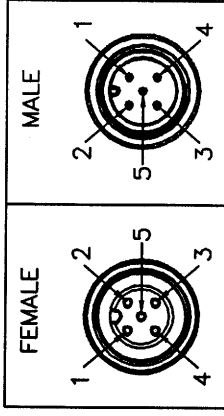
Detailed Product Description:
 Waterproof connector rating is IP67
 They can not be used permanently under water.
 Waterproof SR Molding rating from custom requirements.

Connector Electrical character
 Rating voltage: 60V
 Insulation resistance: >100MΩ
 Rating current: 4A
 Contact resistance of connector ≤5mΩ
 Mechanical characteristics: mating / cycle >100cycle
 Operating temperature: -25°C ~ +85°C

TESTING CONDITIONS:
 1. VOLTAGE: 300V DC/0.1S.
 2. INSULATION RESISTANCE: 10 Mohms min.
 3. CONDUCTIVE RESISTANCE: 5 Ohms max.
 4. 100% OPEN AND SHORT ELECTRICAL TEST.

*ALL MATERIALS ARE RoHS COMPLIANT.

**PIN ASSIGNMENTS
FRONT VIEW**



**陈万丽
WIRE LIST**

P1	COLOR	P2
1	BROWN	1
2	WHITE	2
3	BLUE	3
4	BLACK	4
5	GRAY	5

ITEM	PART NO.	SPECIFICATION	Q'TY	UNIT
⑥	GL00031	CX2001H WHITE GLUE	2	g
⑤	N/A	UL1007 24AWG HOOK UP WIRE	5	PCS
④	PL00008	BLACK PVC 30P	12	g
③	PL00007	HD PE	6	g
②	N/A	M12 A CODING 5 PIN MALE CONNECTOR (TERMINALS GOLD-PLATED 3U")	1	SET
①	N/A	M12 A CODING 5 PIN FEMALE CONNECTOR (TERMINALS GOLD-PLATED 3U")	1	SET

SIGNAL®
 Shen Zhen Signal Electronics co.,Ltd
 TITLE: M12*1.0 CONNECTING HEAD CONNECTOR
 SGN NO: 120105-10-576
 DWG NO: REV.
 CUSTOMER: S0
 TOLERANCES ARE: THIRDS ANGLE PROJECTION
 DECIMALS ANGLES SIZE: A4 UNITS: mm
 .X ±0.50 X' ±1.0' X'' ±0.5 SCALE: 1:1 SHEET: 1 OF 1