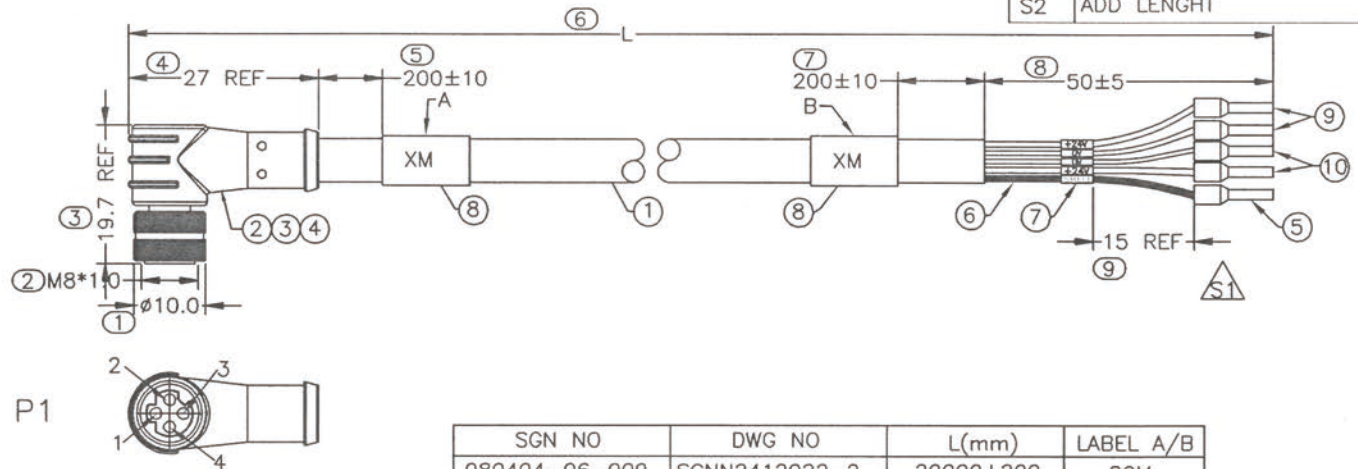


PROJECT NO:
SGNN2412022

REV	DESCRIPTION	DATE	APPROVED
S0	CREATED DRAWING	2024/12/14	W N
S1	CHANGE TO TE ADN LABEL	2025/03/18	W N
S2	ADD LENGHT	2025/09/18	W N



Electrical character

Rated voltage	60V
Rated current	4A
Mechanical characteristics (mating cycle)	>100
Degree of protection (ISO-20653,IEC60529)	IP67(P1)
Operating temperature	-20°C ~ +80°C
Destructive withstand force between connector and overmold exceeds	2.0kgf
Tightening torque (range)	0.4~1.0Nm
Pollution degree	3
ALL MATERIALS ARE RoHS COMPLIANT	

SGN NO	DWG NO	L(mm)	LABEL A/B
080404-06-009	SGNN2412022-2	20000±200	20M
080404-06-011	SGNN2412022-5	5000±50	5M
080404-06-013	SGNN2412022-9	2000±30	2M
080404-06-014	SGNN2412022-10	10000±100	10M
080408-67-016	SGNN2412022-11	30000±300	30M



WIRE LIST

P1	COLOR	LABEL	P2
1	RED	+24V	TE(RED)
3	BLACK	0V	TE(GREEN)
2	WHITE	0V	TE(GREEN)
4	GREEN	+24V	TE(RED)
SHELL	BRAID	SHELL	TE(WHITE)

ITEM	PART NO.	SPECIFICATION	Q'TY	UNIT
⑩	N/A	TERMINALS GREEN INSULATION P/N:ENY0508 L=8mm	2	PCS
⑨	N/A	TERMINALS RED INSULATION P/N:ENY0508 L=8mm	2	PCS
⑧	HT00028	WHITE HEAT SHRINK TUBE ϕ 7.0mm L=20mm	2	PCS
⑦	HT00181	WHITE HEAT SHRINK TUBING ϕ 1.5mm L=10mm	5	PCS
⑥	HT00021	YELLOW HEAT SHRINK TUBING ϕ 1.0mm L=42mm	1	PCS
⑤	N/A	TERMINALS WHITE INSULATION P/N:ENY0508 L=8mm	1	PCS
④	PL00008	BLACK PVC 30P	5	g
③	PL00106	AMBER TRANSPARENT LOW-PRESSURE INJECTION MOLDING COMPOUND	2	g
②	N/A	M8 D CODING 4 PIN FEMALE CONNECTOR WITH SHIELD	1	SET
①	YDCA0830	UL20276 0.5mm ² *4C+AB JACKET BLACK PVC OD6.5 (DRAG CHAIN CABLE)	1	PCS

SIGNAL[®]
Shenzhen Signal Electronics co.,Ltd

DRAWN BY	DATE
CHECKED BY	DATE
CHECKED BY	DATE
APPROVED BY	DATE

THE INFORMATION CONTAINED IN THIS DRAWING IS THE SOLE PROPERTY OF SIGNAL COMPANY. ANY REPRODUCTION IN PART OR WHOLE WITHOUT THE WRITTEN PERMISSION OF SIGNAL COMPANY IS PROHIBITED.

TITLE
M8 D CODING 8P/F ANGLE TO TE CABLE

SGN NO	SEE TABLE	REV.
DWG NO	SEE TABLE-1463	
CUSTOMER		S2

TOLERANCES ARE:	THIRD ANGLE PROJECTION
DECIMALES	ANGLES
.x \pm 0.5	x. \pm 2.0°
.xx \pm 0.20	.x \pm 1.0°
SIZE: A4	UNITS: mm
SCALE: 1:1	SHEET: 1 OF 1