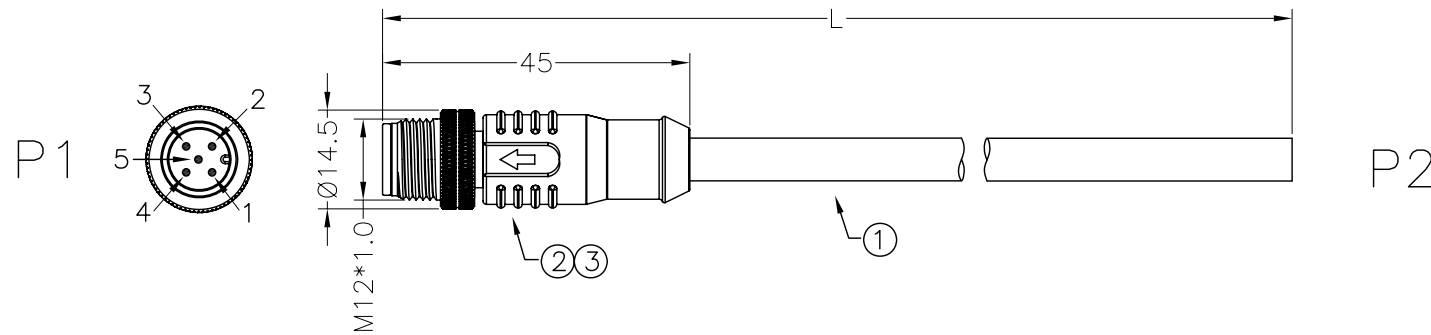


REV	DESCRIPTION	DATE	APPROVED
S0	CREATED DRAWING	2015/08/26	ZERA



Detailed Product Description:

Waterproof connector rating is IP67/IP68
Protected from dust and water during immersion,
resistant to many oils and chemical etc

Connector Electrical character

Rating voltage: 60V AC/DC ,
Insulation resistance: >100MΩ
Rating current : 4A
Contact resistance of connector ≤10mΩ

Other Specification

Contact PIN: Brass with Gold plating.
Coupling nut/screw: Brass with nickel plating
Insulation plastic: PA66+GF
Degree of protection: IP67/IP68
Operating temperature: -25°C ~ +85°C

*ALL MATERIALS ARE RoHS COMPLIANT.

SGN NO	L(mm)
CA12SAM05002D02	1000±15
CA12SAM05002D04	2000±20
CA12SAM05002D06	3000±30
CA12SAM05002D08	5000±50
CA12SAM05002D10	10000±100
CA12SAM05002D12	15000±100

WIRE LIST

P1	COLOR	P2
1	BROWN	OPEN
2	WHITE	
3	BLUE	
4	BLACK	
5	GREY	
SHELL	BRAID	

		TITLE M12 A CODING 5P/M WITH SHIELD PUR CABLE	
		SGN NO SEE TABLE	REV.
DRAWN BY		DATE	
CHECKED BY		DATE	
APPROVED BY		DATE	
<small>THE INFORMATION CONTAINED IN THIS DRAWING IS THE SOLE PROPERTY OF SIGNAL COMPANY. ANY REPRODUCTION IN PART OR WHOLE WITHOUT THE WRITTEN PERMISSION OF SIGNAL COMPANY IS PROHIBITED.</small>		TOLERANCES ARE: DECIMALES .x ±0.5 ANGLES x.' ±2.0' .xx ±0.20 .x' ±1.0'	THIRD ANGLE PROJECTION
SIZE: A4		UNITS: mm	
SCALE:		SHEET: 1 OF 1	

ITEM	PART NO.	SPECIFICATION	Q'TY	UNIT
③	PL00008	BLACK TPU 105°	6	g
②	N/A	M12 A CODING 5 PIN MALE CONNERTOR WITH SHIELD	1	SET
①	CA00179	5*0.34mm ² +AEB JACKET BLACK PUR OD=6.0mm	1	PCS