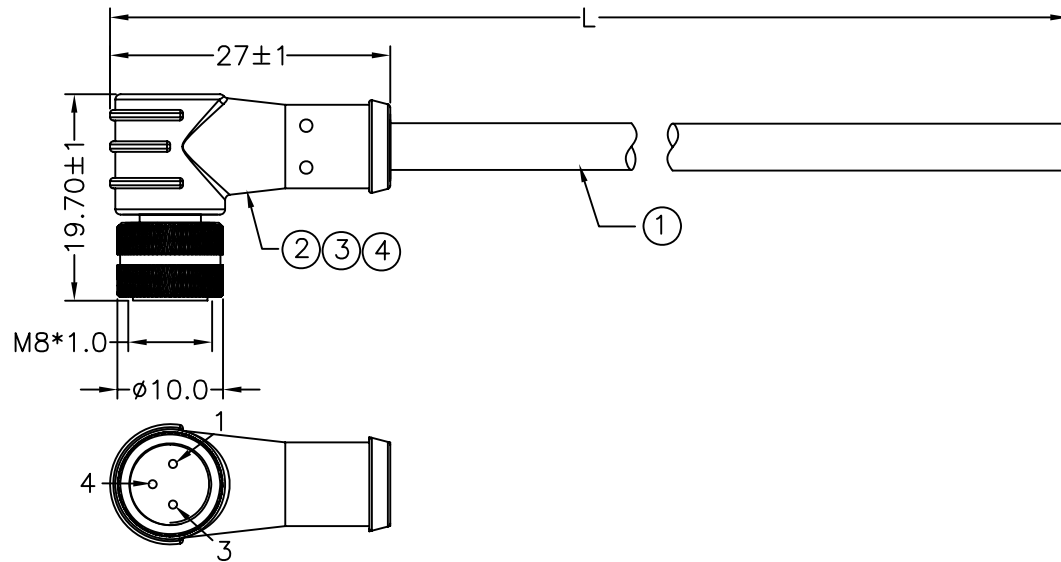


REV	DESCRIPTION	DATE	APPROVED
S0	CREATED DRAWING	2017/09/23	YMX



Detailed Product Description:
 Waterproof connector rating is IP67
 They can not be used permanently under water.
 Waterproof SR Molding rating from custom requirements.

Connector Electrical character
 Rating voltage: 60V ,
 Insulation resistance: >100MΩ
 Rating current : 3A
 Contact resistance of connector ≤5mΩ
 Mechanical characteristics: mating / cycle >100 cycle
 Operating temperature: -25°C ~ +85°

TESTING CONDITIONS:

1. VOLTAGE:300V DC/0.1S.
2. INSULATION RESISTANCE: 10 Mohms min.
3. CONDUCTIVE RESISTANCE: 5 Ohms max.
- 4.100% OPEN AND SHORT ELECTRICAL TEST.

*ALL MATERIALS ARE RoHS COMPLIANT.


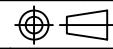
P1

SGN NO	L(mm)
080103-06-920	1000±15
080103-06-921	1500±20
080103-06-922	3000±30
080103-06-923	5000±50
080103-06-924	7500±80
080103-06-925	10000±100

WIRE LIST

P1	COLOR	P2
1	BROWN	OPEN
3	BLUE	
4	BLACK	

ITEM	SPECIFICATION	Q'TY	UNIT
④	BLACK TPU 105°	6	g
③	HD PE	3	g
②	M8 A CODING 3P/F CONNECTOR	1	SET
①	24AWG*3C JACKET BLACK PUR OD=4.6mm	1	PCS

 SIGNAL [®] Shenzhen Signal Electronics Co., LTD		TITLE M8 A CODING 3P/F ANGEL PUR CABLE	
		SGN NO 080103-06-92X	REV.
DRAWN BY		DATE	
CHECKED BY		DATE	
APPROVED BY		DATE	
<small>THE INFORMATION CONTAINED IN THIS DRAWING IS THE SOLE PROPERTY OF SIGNAL COMPANY. ANY REPRODUCTION IN PART OR WHOLE WITHOUT THE WRITTEN PERMISSION OF SIGNAL COMPANY IS PROHIBITED.</small>		TOLERANCES ARE: DECIMALES .x ±0.5 ANGLES x.' ±2.0' .x' ±1.0'	THIRD ANGLE PROJECTION  SIZE: A4 UNITS: mm SCALE: SHEET: 1 OF 1