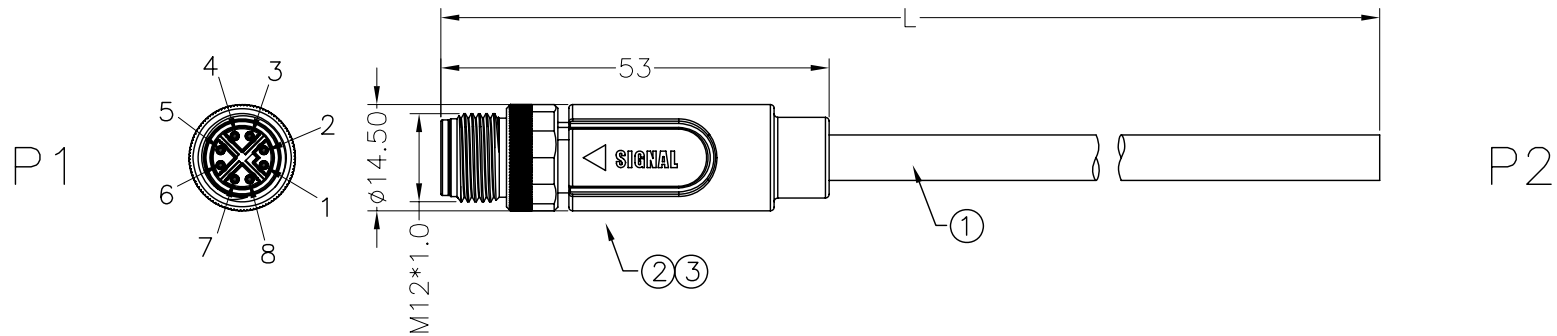


REV	DESCRIPTION	DATE	APPROVED
S0	CREATED DRAWING	2015/08/25	ZERA



**Detailed Product Description:**

Waterproof connector rating is IP67/IP68  
Protected from dust and water during immersion,  
resistant to many oils and chemical etc

**Connector Electrical character**

Rating voltage: 48V AC/DC  
Insulation resistance: >100MΩ  
Rating current : 0.5A  
Contact resistance ≤5mΩ

**Other Specification**

Contact Pin: Brass with Gold plating 1u”  
Coupling nut/screw/shell: Brass with nickel plating  
Insulation plastic: PA66+GF&TPU  
Degree of protection: IP67/IP68  
Operating temperature: -25°C ~ +85°C

\*ALL MATERIALS ARE RoHS COMPLIANT.

SGN NO	L(mm)
CA12SXM08001B02	1000±15
CA12SXM08001B04	2000±20
CA12SXM08001B06	3000±30
CA12SXM08001B08	5000±20
CA12SXM08001B10	10000±100
CA12SXM08001B12	15000±100

**WIRE LIST**

P1	PAIR	COLOR	P2
1	XX	ORANGE/WHITE	OPEN
2		ORANGE	
3	XX	GREEN/WHITE	
4		GREEN	
5	XX	BROWN/WHITE	
6		BROWN	
7	XX	BLUE/WHITE	
8		BLUE	
SHELL		BRAID	

ITEM	PART NO.	SPECIFICATION	Q'TY	UNIT
③	PL00008	BLACK TPU 105°	6	g
②	M12XM08001	M12 X Coding 8pin male connector with shield	1	SET
①	CA00216	CAT6A SSTP 26AWG*4P+AEB JACKET BLUE PU OD=6.2mm	1	PCS

**SIGNAL**<sup>®</sup>

Shenzhen Signal Electronics Co., LTD

TITLE: M12-X CODING 8P/M CABLE

SGN NO: SEE TABLE

DWG NO: \_\_\_\_\_

CUSTOMER: \_\_\_\_\_

REVISIONS:

NO.	DESCRIPTION	DATE
1	CREATED	2015/08/25

THE INFORMATION CONTAINED IN THIS DRAWING IS THE SOLE PROPERTY OF SIGNAL COMPANY.  
ANY REPRODUCTION IN PART OR WHOLE WITHOUT THE WRITTEN PERMISSION OF SIGNAL COMPANY IS PROHIBITED.

TOLERANCES ARE:

DECIMALES	ANGLES
.x ±0.5	x.' ±2.0'
.xx ±0.20	.x' ±1.0'

THIRD ANGLE PROJECTION

SIZE: A4

UNITS: mm

SCALE: \_\_\_\_\_

SHEET: 1 OF 1